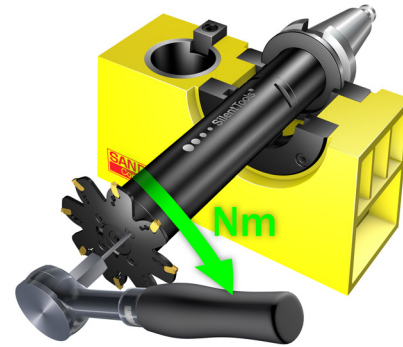
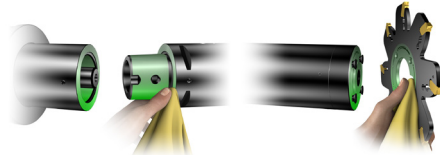
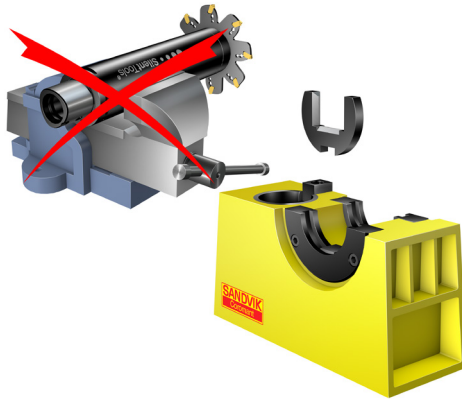


Handling instructions

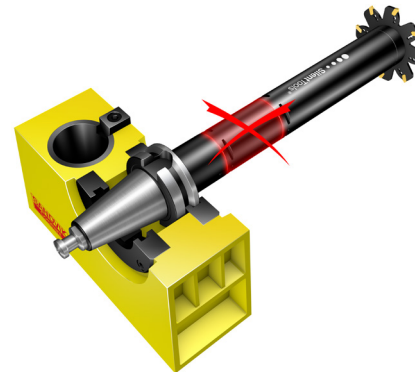
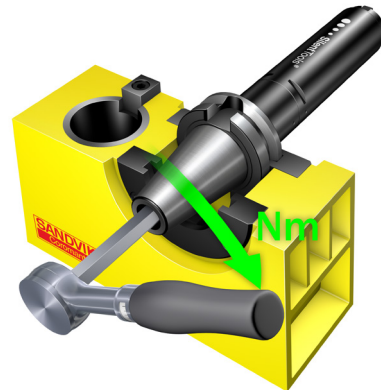
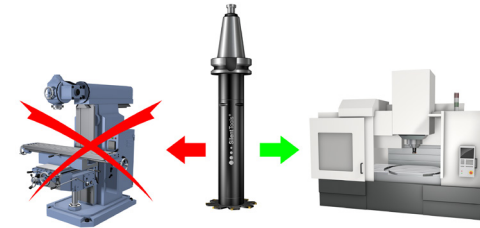
**Silent Tools™**  
Slitting cutter adaptors



● ● ● ● **SilentTools®**



Pilot	Max torque	
	Nm	ft-lbs
X10	6,4	4,7
X22	3,9	2,9
X32	6,4	4,7
X40	70	52
Y25	3,9	2,9
Y31	6,4	4,7
Y38	70	52



Coromant Capto size	Max torque	
	Nm	ft-lbs
C3	45	33
C4	55	40
C5	95	70
C6	170	125
C8	170	125
C10	380	277

**Head office:**  
AB Sandvik Coromant  
SE-811 81 Sandviken, Sweden  
www.sandvik.coromant.com  
E-mail: info.coromant@sandvik.com

**92030**  
© AB Sandvik Coromant  
2015.01



Slitting cutter and Silent Tools™  
application guide  
www.sandvik.coromant.com