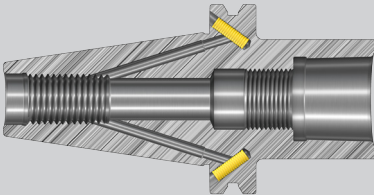


Handling instructions

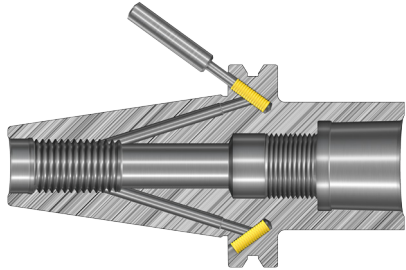
Dowel set

How to close and open a
B-coolant hole

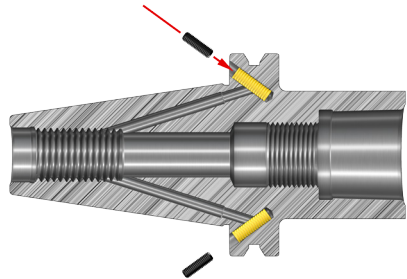


Close B-coolant hole

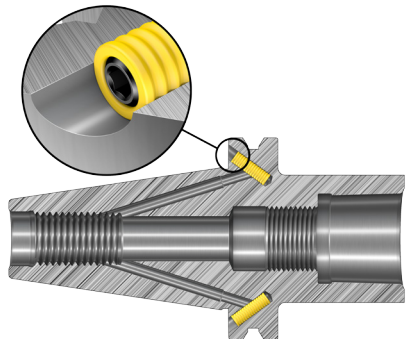
Insert dowel with an assembling tool.



Tighten the clamping screw.



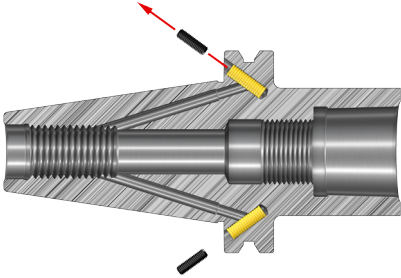
Result after finished mounting.



Head office:
AB Sandvik Coromant
SE-811 81 Sandviken, Sweden
www.sandvik.coromant.com
E-mail: info.coromant@sandvik.com

Open B-coolant hole

Remove the clamping screw.



Ordering information:

SK40: 5643 017-01
(package of 50 dowels and screws)

SK50: 5643 017-02
(package of 50 dowels and screws)

Important information!

Use every dowel only once!

Use a standard M3 screw (tightened with 3-4 turns) and pull out the dowel.

